

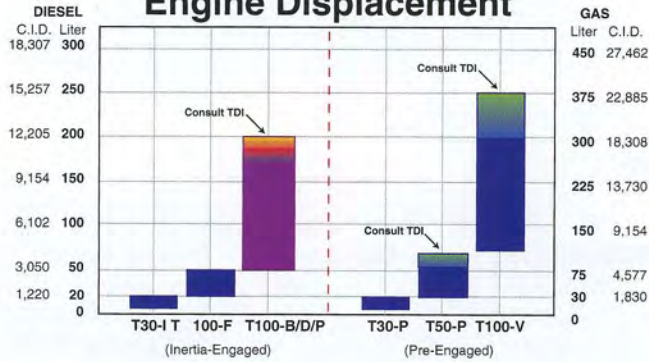
Specifications:

T100-D

TURBOTWIN™

Engine Air Starters

Starter Selection Chart Engine Displacement

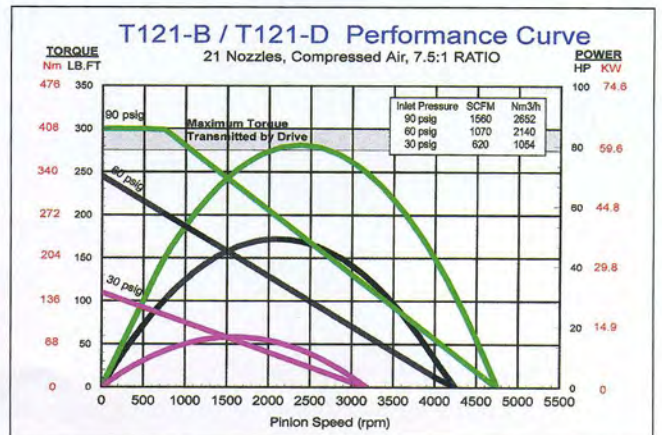
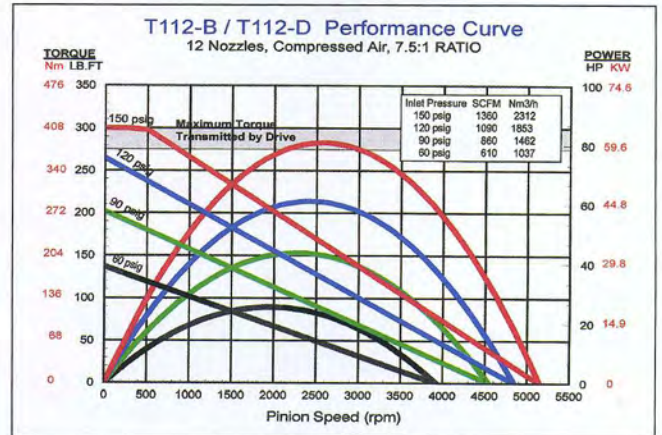
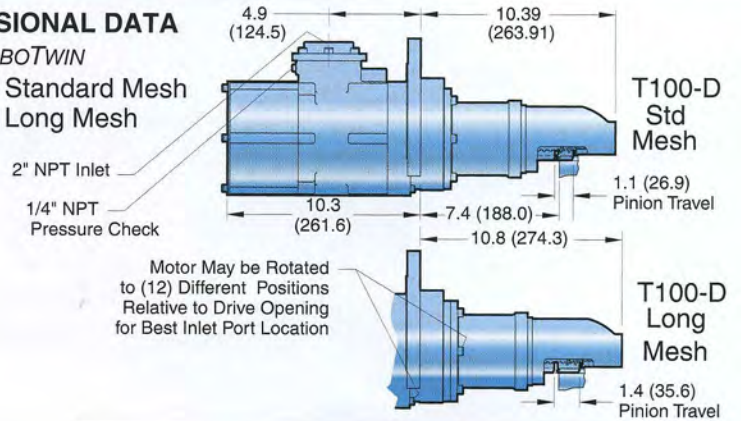


This selection chart shows basic starter capability by engine size. Note the chart shows four-stroke diesel engine size on the left and four-stroke, spark-ignited engine sizes on the right. Always consult TDI for application-specific capability.

Consult your TDI Distributor and the TDI Selection Guide before choosing a TDI TURBOTWIN starter for any application.

DIMENSIONAL DATA

TDI TURBOTWIN
T100-D Standard Mesh
T100-D Long Mesh



Eliminate remote service trips with the reliability of T100-D.

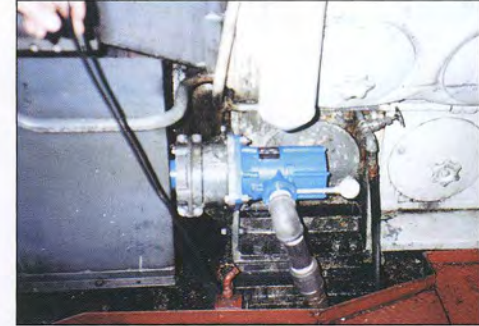
SPECIFICATIONS

Engines:	Starts Engines up to 250 Liters (15,000 CID)	Rotation:	(Facing Pinion Orientation) Righthand/clockwise and Lefthand/counter clockwise
Design Configuration:	Inline; Inertia-Engaged		
Common Pinion Configuration:	6/8 Pitch, 12 Tooth (2 inch pitch diameter pinion)	Air/Gas Supply:	Compressed Air or Natural Gas
Mounting:	SAE D-Style Flange	Lubrication:	Grease-Packed For Life, None Required
Horsepower:		Gear Ratio:	7.5:1
T112-D:	80 hp (60 kW) Max. at 150 psig (10.3 BAR)	Custom:	Other models and configurations available.
T121-D:	80 hp (60 kW) Max. at 90 psig (6.2 BAR)		
Weight:	70 lbs. (32 kg)		Consult your local TDI distributor.
Operating Pressure Range:			

MODEL	NOZZLES	PSI	BAR
T112-D	12	30 – 150	2 – 10.3
T121-D	21	30 – 90	2 – 6.2

For applications in the 60–90 psig (4.1–6.2 BAR) range, consult your TDI distributor for best nozzle configuration.

T100-D's grease-packed for life feature eliminates wear, reduces maintenance, and delivers a significantly longer starting life.



Two views of a T100-D on an EMD 16-567 diesel engine



T100-D was designed specifically to resist marine contaminants like salt air, humidity, and pipescale.

Long Cranking Cycles and Remote-Start Reliability Make T100-D Ideal for the Oil and Gas Fields



A trio of T100-Ds on a Clark gas engine provide the reliability to handle the higher cranking speeds.

FOR ENGINE COMPATIBILITY AND STARTER REPLACEMENT INFORMATION, SEE TABLE ON PAGE 23 OR CONSULT YOUR TDI DISTRIBUTOR.